

632 SERIES



D-Sub Connectors: Right Angle, High Density, 0.121" (3.08mm) Footprint

Features:

- High density three contact rows with 0.121" (3.08mm) footprint, right angle bend
- 0.090" (2.29mm) contact spacing X 0.078" (1.98mm) row spacing
- Receptacle in 15 contact size
- Pin and socket contact mating design with P.C. tail termination
- Metal shell provides EMI/RFI shielding
- Board mounting features include two prong boardlock for exceptional retention to P.C. board
- Flange mounting options for panel mount or connector mating include through hole, threaded hole and threaded standoffs
- D-shaped connector mating outline provides polarization
- Design based on requirements of MIL-C-24038, EIA RS-232 and RS-44



Specifications:

Insulator Material	Thermoplastic Polyester, UL 94V-0, Chemical Resistant, Color: Black
Contact Material	Brass
Contact Plating	Selective Gold (See Ordering Code) over Nickel for the Mating Area, Tin Plating for Tail Area
Shell Material	Nickel Plated Steel
Current Rating	3 amps
Contact Resistance	25 Milliohms maximum
Insulation Resistance	5000 megaohms minimum
Dielectric Withstanding Voltage	1000 V AC rms at Sea Level
Operating Temperature	-55°C To +85°C (upto +125°C for high temp)
Insertion Force	211.6 oz (58.8 N) maximum
Withdrawal Force	42.3 oz (11.8 N) minimum

Ordering Code:

632-015-266-033

SERIES: _____
632: RECEPTACLE (SOCKET)

NO. OF CONTACTS: _____
015 - 15 CONTACTS

CONTACT FINISH CODE: _____
2 - GOLD FLASH PLATING
3 - 15 MICROINCHES OF GOLD PLATING
6 - 30 MICROINCHES OF GOLD PLATING

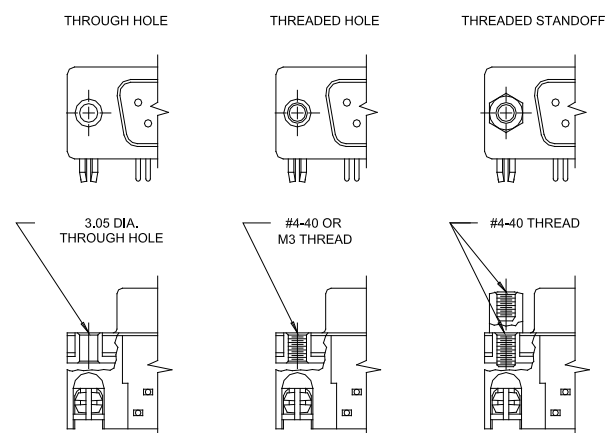
CONTACT CODE: _____
66 - .121" (3.08MM) FOOTPRINT CONTACT
74 - 9TH PIN CONTACT RECESSED, BLUE INSULATOR

FLANGE MOUNTING OPTIONS:
1 - Ø.120" (Ø3.05MM) THROUGH HOLE
2 - #4-40 THREADED HOLE
3 - #4-40 THREADED STANDOFF
5 - M3 THREADED HOLE

BOARD MOUNTING FEATURE:
3 - TWO PRONG BOARDLOCKS

MATERIAL CODE:
0 - STANDARD
5 - HIGH TEMP INSULATOR

FLANGE MOUNTING OPTIONS

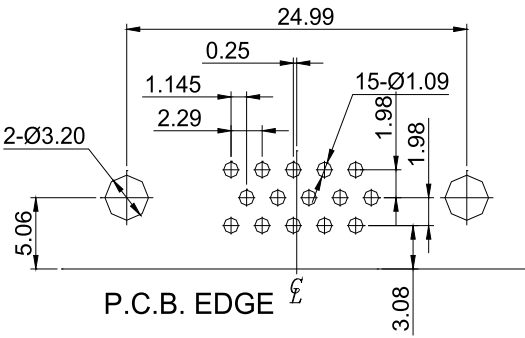
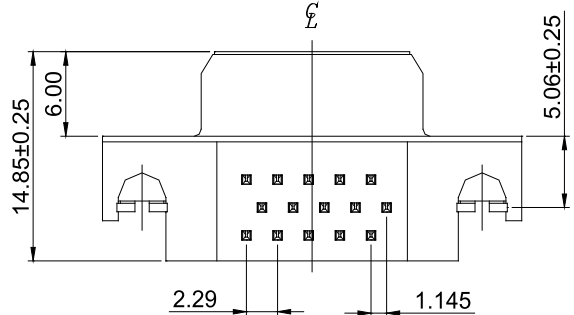
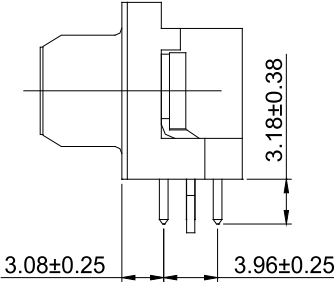
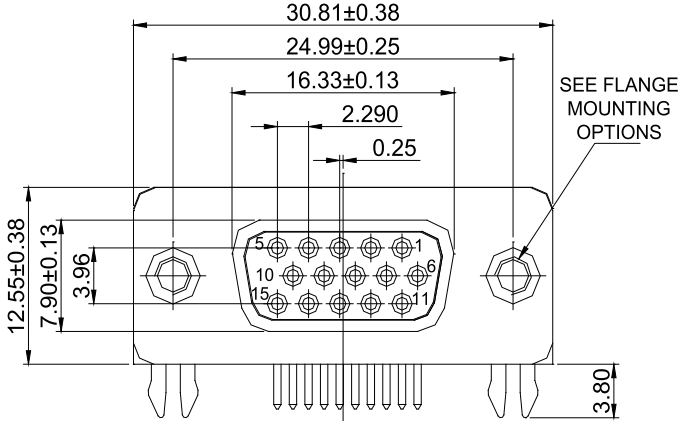


632 SERIES



D-Sub Connectors: Right Angle, High Density, 0.121" (3.08mm) Footprint

RECEPTACLE 632 SERIES



RECOMMENDED P.C.B. LAYOUT